

**POOL ALARMS ZA**

# **Aqua Watch Pool Monitor Pool Alarm**

**IMPORTANT**

# **OPERATING INSTRUCTIONS MANUAL**

**Contact: Jacques 0614421443**

# HELPFUL HINTS & TIPS

SPECIFICATIONS SANS 60950-1:2003

IEC60950-1:2001



CE R&TTE

This product has been designed to aid in the detection of unwanted intrusions into unsupervised pools. The **AQUA WATCH POOL MONITOR IS A SAFETY ALARM SYSTEM AND NOT A LIFE SAVING DEVICE.** “This device is not intended to replace any other safety measures like, adult supervision, lifeguards, fences, gates, pool covers, locks, etc.

## GENERAL

**THE AQUA WATCH POOL MONITOR** is an electronic monitoring system that automatically sounds an alarm when a children or pet over 5kg, falls into your unsupervised pool. The Aqua Watch Pool Monitor is a portable, self-contained, light weight unit that is safe and simple to operate. Entry into the pool will be detected by the unit’s electronic sensor, thus triggering a loud pulsating alarm on the pool fitted unit and on a RF transmitter placed internally within your house.

## INSPECTION

This pool Monitor is packaged in a re-usable carton that minimizes the chance of damage due to handling. Check to make sure that the security shrink wrap around the box has not been tampered with. After which, check to confirm that the carton contains the following contents.

- **Aqua Watch Pool Monitor unit** (White L shaped object)
- **Remote receiver** (Black rectangular box)
- **Transformer** (Two prong electrical charger)

- **Handle** (White carry handle)
- **Alarm Stabilized Pin (ASP)** (Silver screw 60mm long)
- **Magnetic Disc** (Silver magnetic disk)
- **Operating Instructions Manual.**

If any items are missing, contact the distributor:

[Jacques on cell 0614421443,](tel:0614421443)

[E-mail poolalarmsza@gmail.com](mailto:poolalarmsza@gmail.com)

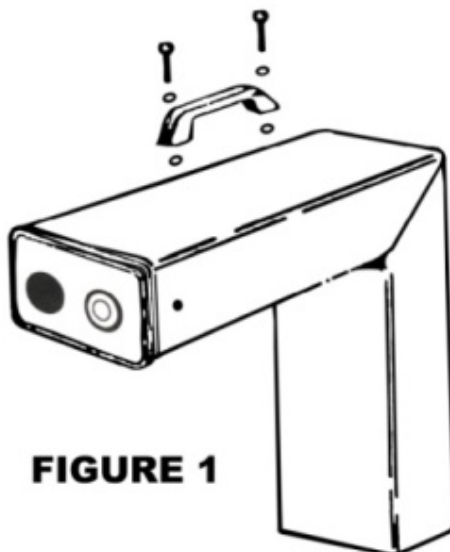
## **CARE AND HANDLING**

The Aqua Watch Pool Monitor is constructed from sturdy plastic to withstand the adverse environment of a swimming pool. **Care needs to be taken when handling, to ensure against being dropped, kicked, etc. Please note this is not a toy.**

**Aqua Watch Pool Monitor** is water resistant up to grade IPX5. It is not a submersible unit. If the pool unit accidentally falls into your pool, remove it immediately and drain the water from it. Take the unit apart as indicated in the Battery Replacement Procedure and remove the battery. Tip and shake unit and remove all excess water from inside. Dry the battery bay with a cloth. Once dry, re-assemble and test thoroughly as described in the instruction manual before placing it back in the water.

## **ATTACHING THE HANDLE**

The two handle screws are located at the top of the white L shaped alarm; use them to fix the handle, (See Figure 1)



**FIGURE 1**

## **OPERATE AND CONTROL MODE**

Your alarm system once placed in the water and activated analyses the surface of your pool 24 hours a day for any unwanted intrusions. It will cease doing this once you activate the temporary sleep mode by using the magnetic disk provided.

### **MAGNETIC DISC USE:**

**Aqua Watch Pool Monitor** is controlled with a magnetic disc. This is used to stop the alarm from sounding and places the unit into temporary sleep mode. To achieve this place the magnetic disc on the round red dot found on the white L shaped alarm system. Once this is done, 2-3 beeping sounds should be heard, indicating that the system has gone into the temporary sleep mode. A red light will also be activated.

### **Remarks:**

1. When you remove the pool alarm from your pool, set it in *sleep mode* with the magnetic disc.
2. If you need more magnetic discs, please contact your distributor.

**The alarm is easy to operate and has many function modes. It has a Working mode, Temporary stop and sleep mode as well as a Reset function.**

### **WORKING MODE:**

When the white L shaped pool unit is installed in the pool, press the **reset button** (white button on panel), your alarm will beep 2-3 time. Then after 3 seconds it will beep another 2-3 time, this indicates that your alarm is activated. No matter in which mode the alarm system stands, *once you press the "reset" button, your alarm will quickly activate. A green light will now show to indicate that the alarm is now live.*

### **TEMPORARY STOP AND SLEEP MODE:**

Place the magnet disc on the red dot found on the white L shaped alarm. The alarm will beep 2-3 times, which indicates that your alarm is going into sleep mode. Attention please, the alarm can only be placed if it was first in working mode. **If the alarm has gone off, press the reset button then** use the magnet key to set it in sleep mode. The red light will indicate it is now in sleep mode.

## RESET:

If the alarm goes off it will sound for a full 10 minutes. Set the unit into the temporary sleep mode once using the pool. Your alarm reset button is located on the panel, it is the same button used for the Working Mode when you install the unit.

**IMPORTANT:** Once the red light comes on your unit is in the temporary sleep mode. See below:

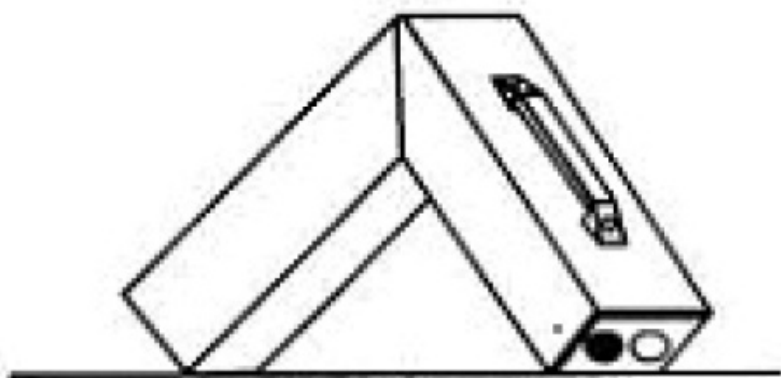
## SILENT INSTALLATION AND REMOVAL FEATURE

### 1) SILENT INSTALLATION

First set the system into *sleep mode*, you now have 100 seconds to install the pool unit into your pool without the alarm sounding. Once you have finished installation, press the "reset" button, your alarm will quickly activate.

### 2) SILENT REMOVAL

Set the system into *sleep mode*, you now have 100 seconds to remove the pool unit out of your pool without the alarm sounding. Once the **Aqua Watch** pool monitor is removed, place it in the upright position. Once in this position it will always stay in the sleep mode. Please remove the battery if you are not going to use the unit for extended periods of time.



**UPRIGHT POSITION**

### 3) TO USE THE POOL - SWIM FEATURE

When you wish to swim, place the system into the sleep mode. In sleep mode, thanks to the automatic rearming feature, **if the alarm detects the pool hasn't been used for a 100 seconds** (if there are no waves), the system will be automatically reactivated. You should

enter the pool within 100 seconds so the alarm does not go off when entering the pool!

When you have finished swimming and there are no waves in the pool. The system will not activate until the pool is calm again. Only when the pool surface has stood flat for 100 seconds, the system reactivates: the alarm will beep 2-3 times, then after 3 seconds beep another 2-3 times. This indicates the system is activated. You can also press the RESET button to activate the alarm. The pool may however require a rather lengthy waiting period to rearm. Please be patient you should stay near the pool until your alarm beeps for rearming.

## **BATTERY INSTALLATION / REPLACEMENT**

Three batteries are required for the unit.

The **Aqua Watch pool monitor** is powered by 2 x standard 9-volt alkaline batteries for pool unit and 220v electric power supply transformer and 1 standard 9-volt alkaline battery for the remote receiver.

### **To install or replace the batteries:**

- Remove the screw from the bottom of the white L shaped alarm unit, refer to Figure 3.
- Carefully slide out electronics assembly; do not pull or jerk as this may damage wiring. (If necessary, gently shake unit to remove assembly.)
- Place two new batteries into unit by clipping them onto the snap connectors and sliding them into their prospective holders. / If you are replacing old batteries, remove them from snap connectors, check for any leakage or corrosion. (Remove any leakage or corrosion if present before installing new battery.)
- Slide electronics assembly into pool unit; do not pinch internal hook-up cable.
- Replace the screw, hand tighten until screw is all the way in and flush against the pool unit.
- If the batteries have been successfully installed and there is sufficient battery power you will see a **GREEN** Led light shining within the red dot. This means the unit is active and armed. To disarm it place the magnetic disc over the red dot the unit should beep a few times and a **RED** Led light should appear. It is now in sleep mode and will re-activate itself within 100 seconds.

## **THE REMOTE RECEIVER**

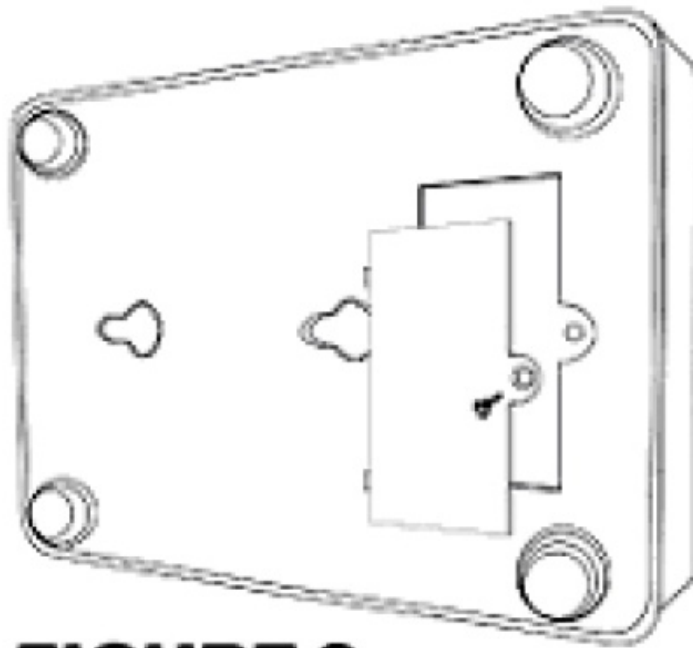
### **BATTERY INSTALLATION / REPLACEMENT**

Remote receiver doesn't have the battery installed by default.

The **Aqua Watch** pool monitor's receiver (black rectangular box) is powered by a standard 9V alkaline battery and electrical 220v transformer.

**The installation and replacement of the battery is as follows.**

- Unscrew the screw at the back of the receiver box. (Refer to FIGURE 2)



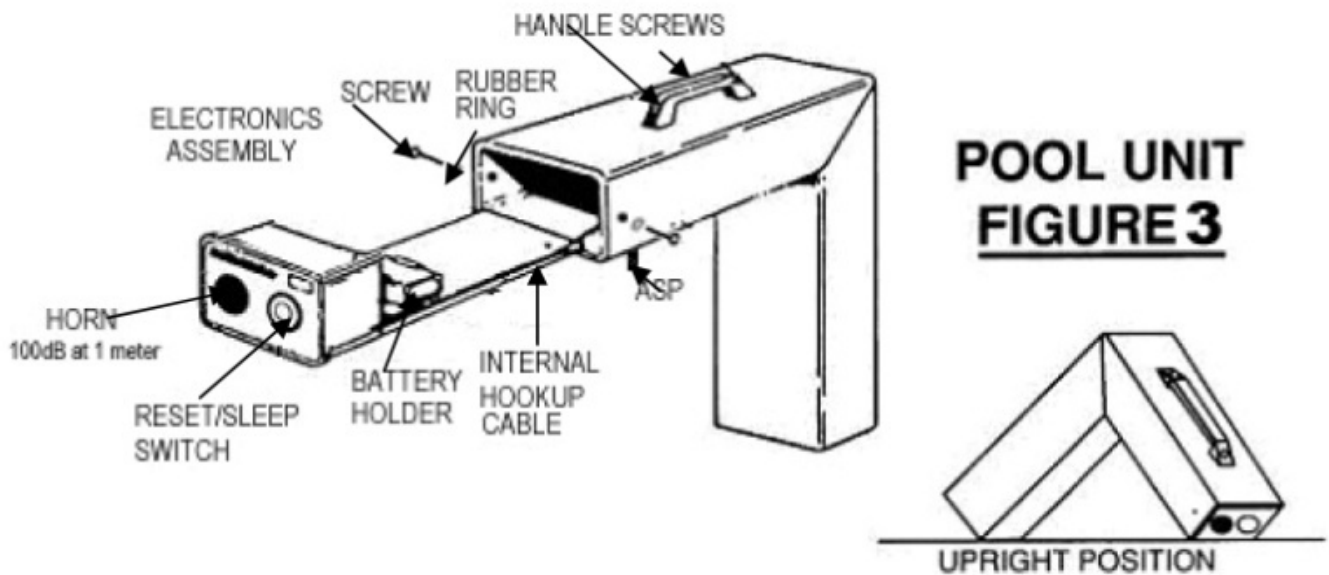
**FIGURE 2**

- Carefully pick out battery connector; do not pull or jerk.
- Put the battery in snap connector then put back in to the battery case.
- Fit the cover on the battery case, and then tighten the screw. After the battery is installed (without transformer power), the remote receiver's indicator light should come on. If this occurs installation was correct and the unit has battery power / as with the alarm unit when taking out old batteries check for possible leakage.
- To prevent any possible damage, the battery should be removed whenever storing the alarm for an extended period of time. Once the battery is fitted, find a suitable place indoors where you wish to position the unit.
- Plug the transformer into the wall socket and also into the remote receiver.

## Important:

1. We suggest you use an alkaline battery, the more powerful the better.
2. Once the batteries have been used for more than one year, it is better to change them to prevent leakage or erosion.

The **POOL ALARM UNIT** and **REMOTE RECEIVER** of your alarm will both beep once every 20 seconds to alert you that the battery is low in the pool unit and needs to be replaced. On the remote receiver within the house, if the electricity fails the unit will automatically switch over to battery power. If the battery is flat the unit's indicator light will not shine or you will hear a very faint beeping.

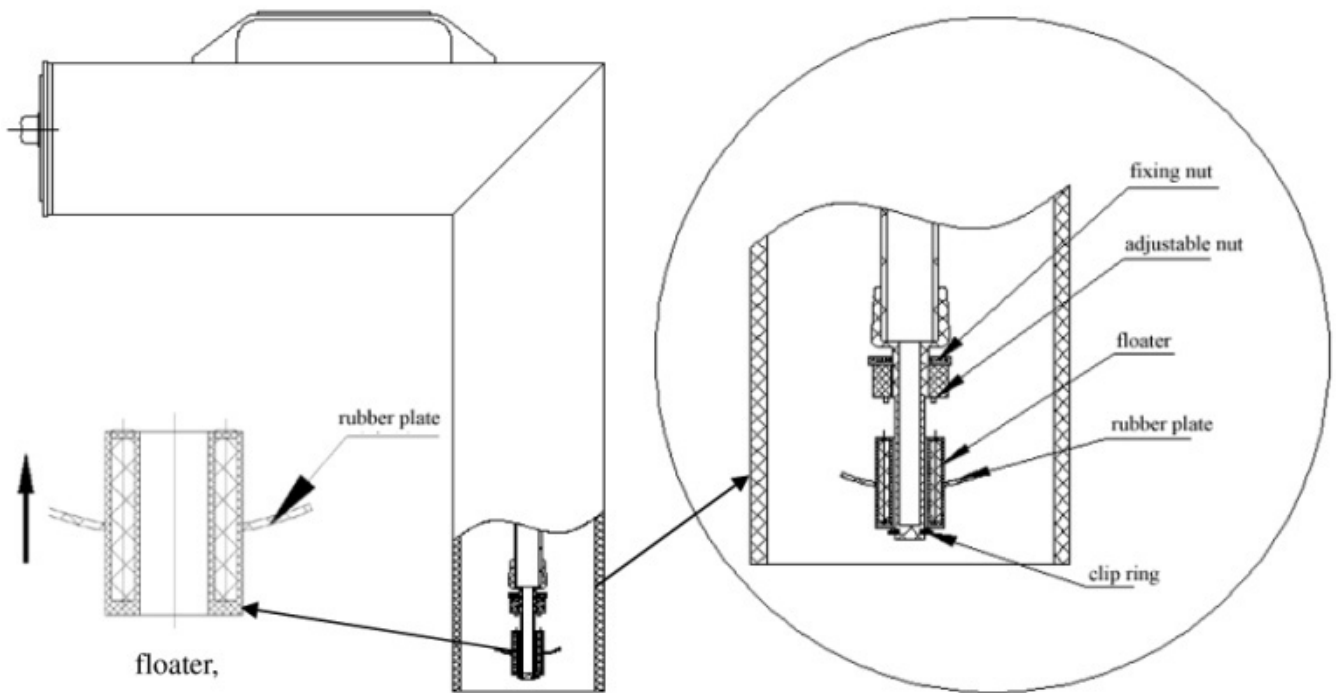


## **SENSITIVITY ADJUSTMENT**

**Our alarm sensitivity is adjustable but we do not suggest any end user do adjustments. These have already been done prior to leaving the factory and have been set according to standards. If accidents do happen as a result of any adjustments being done by end user, we will not be held responsible.**

**In the event you wish to make adjustments this is how to proceed. We have included a wind sensitivity adjustable nut.**





**FIGURE 3-1**

### **1. Sensitivity adjustment process**

A. (See Figure 3-1) Refer to the above mentioned drawing to note each part of the sensitivity adjuster.

B

1. Take off the clip ring.
2. Take out the floater and pay attention to the direction of the floater.
3. Loosen the fixing nut in clockwise direction.
4. Decrease the sensitivity by rotating the nut in a clockwise direction thus moving up the shaft, or increase the sensitivity by rotating the nut anticlockwise thus moving it down the shaft.

**Note:**

1. **Decreasing the sensitivity can reduce the number of false alarms and enhance wind resistance, but it may also have the effect of failing to trigger once a child or pet has fallen into the pool.**
2. **Increasing the sensitivity, can cause the alarm to respond quicker once a child or pet has fallen in but thus also allows for more false alarms in the event of high winds. The adjustment range will decide the sensitivity of the weight.**

### C. Assembly after adjustment done.

1. Rotate and move down the fixing nut but don't rotate the adjustable nut. This must be used to lock the adjustable and the fixing nut against each other in a fixed position.
2. Put on the floater, (pay attention to the floater direction; refer to the drawing on the left). Put on the clip ring.

2. After the adjustment, make sure to do a weight fall test and alarm reactive time test in your pool as some pools differ in size and design. It is important to do this until you are happy with the results as it may have an impact on some one's life.

(Important: Make sure to set the weight sensitivity level to that lower than your child's weight. With a weigh less than that of your child roll and object into the pool, don't drop it. The alarms reactive time must be within 12 seconds of object entering the water.)

3. When deciding where to place the alarm, try and place it in a position that would equate to the centre of the pool. Thus covering each end of the pool equally.

### PLACEMENT IN YOUR POOL

Figure 4 illustrates the best locations for fall detection from any area of the pool. If your pool is larger than 32 square meters or **4mx8m** or if you have **more than 2 return nozzles** or any concerns about the size or if you have **an irregular shaped pool**, please contact our distributors to clarify the recommended number of alarms and locations for alarms.

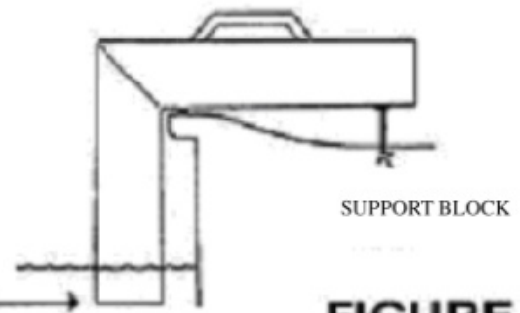
Jacques 0614421443, [poolalarmsza@gmail.com](mailto:poolalarmsza@gmail.com)



**FIGURE 4**

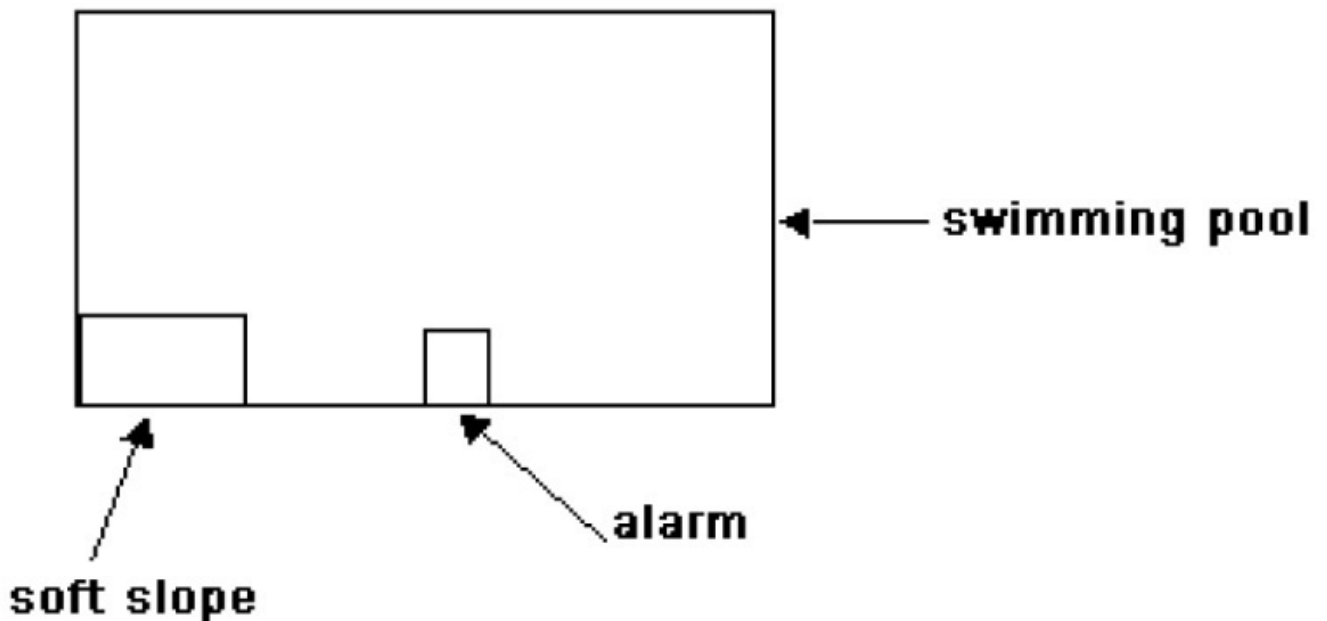
**4mx8m pools and smaller**

OUR UNIT automatically compensates for variations of pool levels within the unit's operating range. The unit utilizes a sensing throat which projects into the water and is designed to operate in most pools with an in-wall skimmer. The sensing throat mustn't be less than 5 cm, (See Figure 5), and not more than 15cm into the water. Our unit recommends (standard test conditions) that the sensing throat be approximately 7 cm in the water and the gap between inside of pool and sensing throat shall not be less than 2cm. It can be used with SOLAR BLANKETS on the pool and can also be used in spas.



**FIGURE 5**

Our unit may not work properly if your pool's water level is not maintained within the required levels of your alarm. Some irregular shaped decks may not provide a level foundation for the unit by the pool's edge. This minor problem can be overcome by appropriately supporting the unit.



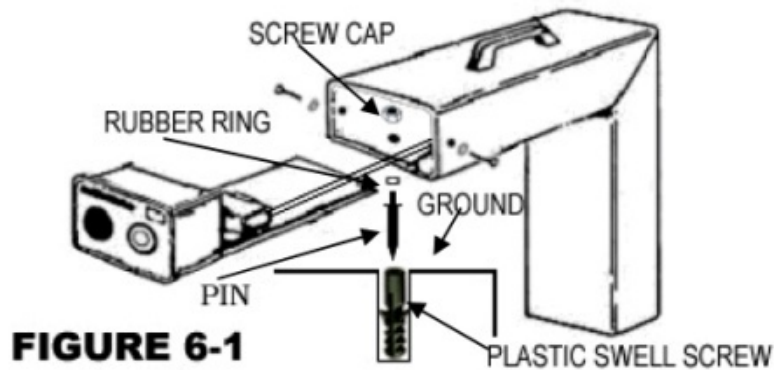
Please don't let children use the magnetic disc on your alarm (this includes anything else with magnetic properties.) in order to avoid setting the system into sleep mode accidentally, although your alarm has a automatic work function, the system needs to wait 100 seconds to analyze the surface of the water.

## **STABILIZING YOUR POOL ALARM: INSTALASION**

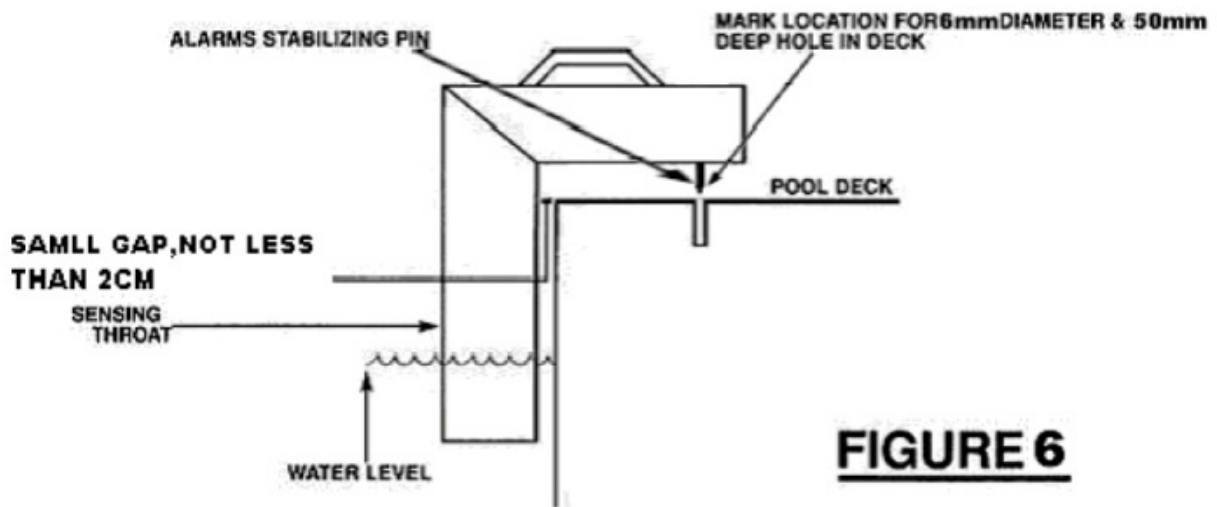
Permanent installation of your unit can be achieved via the following steps.

**Needed: Flat screw driver and 10mm masonry drill.**

1. Position your pool alarm so that the sensing throat is in the water and the **ASP** is touching the deck. Be sure to leave a small space between the sensing throat and the edge of your deck, Refer to Figure 6.
2. Mark with a pencil the spot where you wish to drill the hole for the **ASP**.
3. With the 10mm masonry drill bit, drill a hole 10mm deep, as straight as possible.
4. Put the plastic plug (supplied) into the hole in the deck.
5. Unscrew the ASP from the unit and screw it into the plug.
6. Line up the hole of the alarm with the ASP screw.
7. Pull out the panel of the alarm
8. Screw the nut provided onto the ASP screw.



**FIGURE 6-1**



**FIGURE 6**

The sensing throat should enter the water level not less than 5 cm and it is suggested the sensing throat enter water level about 7 cm.

To ensure effectiveness, test our unit every time you place it in the pool by performing the following procedure:

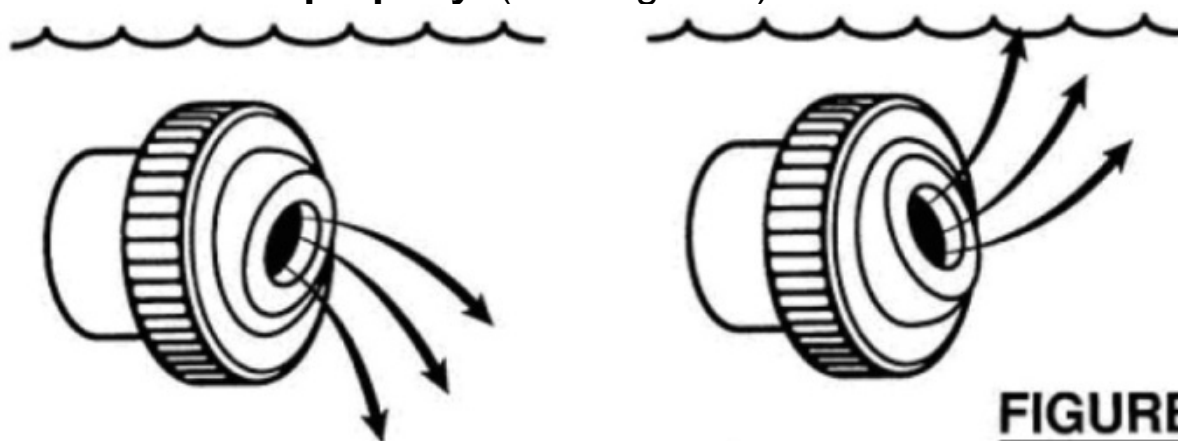
### **Set the system in the working mode.**

- To test your alarm push an object of appropriate volume and weight off the deck edge at the furthest point from the alarm. (A 5kg object which has a similar density to that of a human). The alarm should sound when the object is dropped into the water. It may take a few seconds for the alarm to react to the water action.

### **Set the system in the sleeping mode.**

- After resetting the alarm, wait until there are no waves in the pool, put the alarm in another position in the pool and test again. Perform these tests until you are satisfied. Our internal alarm includes a timer function, the remote receiver will sound for approximately 7 seconds after the main unit has stopped.

- **Aqua Watch pool monitor** should not be placed too close to spray nozzles. The water turbulence may be too strong and falsely set the alarm off. It is very important in pools to adjust all the eyeball fittings on your nozzles so that they face down so as not to interfere with your pool alarm. It is not necessary to point your eyeball up for your pool to circulate properly. If the water is swirling on top of the pool this makes the pool too turbulent for your alarm to work properly. Point the eyeball down and your pool will still circulate properly and allow your alarm to function properly. **If you point the eyeball fitting up, your alarm may not function properly.** (See Figure 7)

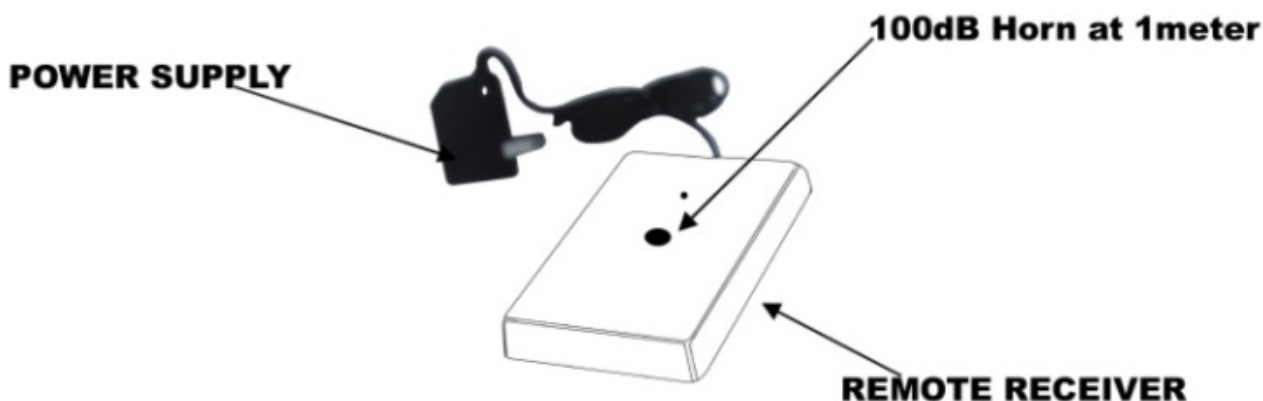


**FIGURE 7**

**CORRECT**

**INCORRECT**

**REMOTE RECEIVER**



The Pool Alarm remote receiver is similar to a wireless remote control equipment, which has **Maximum Range of 80 meters** from the pool side unit base on the open air principal.

Your remote receiver is controlled by the main unit, once the main unit sounds, the receiver will receive the signal and sound immediately, the sound is 1M 100Dba. After the main unit has sounded, indoor receiver will stop within 7'sec.

**When your receiver beeps every 20 seconds, it indicates the battery of the main unit is low, please change immediately.** Every main unit can be used together with one or more receivers, if you need more receivers, please connect your distributor.

As the receiver is wireless, metal will shield the signal, so don't put the remote receiver behind a metal wall or hand on a metal door. Placing the unit in a basement will also render it ineffective.

Test the remote receiver before use. If the remote receiver cannot receive the signal, please move it to different locations until you are satisfied.

**Please put the receiver beyond children's reach. This is not a toy. Make sure not to put the remote receiver outside the house.**

Make sure you don't forget to install the battery so that the system works without electricity.

## **SWIMMING POOL SAFETY TIPS**

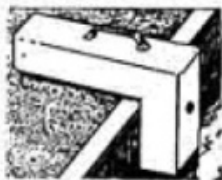
- **Supervise children at all times.**
- **Never permit them to swim alone. Never leave a child alone, even to answer the telephone.**
- **Always remove the entire solar cover from a pool before swimming.**
- **Remember that alcohol and swimming do not mix.**
- **Have your pool area fenced and the gate locked to prevent unauthorized entry to the pool.**
- **Install a gate alarm.**
- **Lock and secure all doors in the house which permit easy access to the pool, and install a door alarm.**
- **Have a responsible adult teach your children how to swim and the rules of being around water.**
- **Maintain clean, clear water in the pool.**
- **Do not swim during electrical storms.**
- **Do not permit bottles, glass, or sharp objects to be used around the pool.**
- **Ask your pool dealer how you can improve your pool safety- they will be glad to assist you.**
- **Above all: remember that common sense, awareness, and caution will allow you to enjoy your pool.**

## **WARRANTY AND REPAIRS**

The Aqua Watch unit is sold with a limited warranty to cover defects in parts and workmanship for a period of one year from date of purchase. **(Retain proof of purchase)**. If our alarm exhibits a defect, please contact your distributor. Unauthorized returns will not be accepted, Proper repair is only ensured when the unit is returned to the manufacturer.

The **Aqua Watch** pool monitor has been designed to aid in the detection of unwanted intrusions into unsupervised pools. The **POOL MONITOR IS A SAFETY ALARM SYSTEM AND NOT A LIFE SAVING DEVICE**. “This device is not intended to replace any other safety consideration-i.e., adult supervision, lifeguards, fences, gates, pool covers, locks, etc., and some devices may not detect gradual entry.”

## ***HELPFUL HINTS AND TROUBLESHOOTING***



Poolside Unit

Power Supply



Remote Receiver

## **FALSE ALARMS**

All pool alarm exhibiting false alarms on occasions may do so for different reasons. False alarms can be minimized; however, it is important to remember that a false alarm is better than no alarm at all.

## **WEATHER & WIND**

- Our Unit set stationary on the deck of the pool so the wind will not affect the alarm unit itself. Wind may trigger a false alarm if it is strong enough or steady enough to causes the water in the pool to ripple. If the water in the pool moves up and down the alarm sensing throat, it may finally cause the alarm to sound. On extremely windy days when the pool water is rocking it is advised to remove the alarm from the pool. **Normal wind or rain will not affect the alarm.**



## **OTHER FALSE ALARMS**

- When the pool owner tries to install the alarm too soon after swimming. The water in the pool will rock or bounce up and down the pool wall for some time depending on the size of the pool and the type of swimming activity.
- **Before installing the alarm, after swimming, the pool must be given time to settle.** Time will vary (around 10 to 30 minutes); once the pool owner sees that the pool is now calm, it is time to reset the alarm to working mode or let unit automatically reset itself.
- A pool cleaner will not affect the alarm but if the cleaner head or the cleaner hose hits the alarm, it may cause it to false alarm.
- A solution to this problem is to find a place around the pool where the cleaner does not interfere with the alarm.

## **ALARM PLACEMENT**

The Aqua Watch pool monitor should be on a flat, solid surface for best results. The throat of the unit is designed to work in most pools with an in-wall skimmer. The water level up on the throat is important and should be checked. The sensing throat cannot be less than 5cms in the water, and not more than 15cms into the water. Our unit recommends that the sensing throat be approximately 10 cm in the water.

## **ALARM TESTING**

Drop something of the same approximate **size, weight and volume** of the families' smallest child or pet into the pool to re-enact a drowning. Do however remember it is both the 6.5kg weight and volume of an object that will activate the alarm. **Remember, when testing you must wait about 15 minutes between tests for the pool to calm.**

## **ALARM WILL NOT SOUND**

Be sure that all three 9 volt batteries has been installed properly. If you are testing and the unit does not sound, be sure you are testing properly. Something without the correct size, weight or volume **will not set your units alarm off!** Testing is very important and should be done correctly and on a regular basis.

## **CARE AND HANDLING**

**The Aqua Watch pool monitor** is made of sturdy, rigid vinyl PVC-UV rated. Because the alarm is electronic and mechanical, great care should be taken not to drop the unit: like any other appliance, it may break. Sun and rain will not affect the alarm. Our unit is water resistant **but not water proof**. Great care should be taken not to knock the alarm into the pool. If the alarm falls into the pool, there are directions in the manual on how to dry it out, but more than likely it will have to be returned to the factory for a service.

### **Remote receiver**

When the main unit sounds in the pool, the remote receiver will also be triggered.

The **Maximum Range of the remote is 80 meters** from the poolside unit base on the open air principle. Be sure that the **RED** light on the remote is on and the **GREEN** light on the pool units is also on

If your remote receiver is not getting a clear signal or no signal from the poolside unit, try the following, before plugging in the power supply, be sure **to stretch out the cord**; do not leave it tied in a bow as packaged. When you first plug in the remote it will give one short loud beep then stop.

Since the remote receiver is like a small portable radiogram, if it does not receive a signal from the pool unit, move it to another position until you pick up a signal. You may only have to move your remote a little to the left or right to get the signal. In some cases you might have to move the remote to a different location or another room.

Remove the transformer and test remote receiver as per the above mentioned steps to see if it works without electrical power. If it can still receive the wireless signal, plug the transformer back in.

**Attention: Don't forget to install all three (3) batteries required.**

## **Quick Do's and Don'ts**

- **DO read this manual carefully.**
- **DO install all three 9 volt batteries.**
- **DO untie the bow on the power supply.**
- **DO test the alarm properly.**
- **DO carry your alarm by the handle**
- **Do NOT leave unit until it has re-set after swimming.**
- **Do replace the battery and the spare battery when Low voltage.**
- **Do put the remote receiver and magnetic key out of reach of children**
- **Do supervise the pool, when the alarm is in the sleep mode.**
- **DON'T drop your alarm, it may break.**
- **Don't forget to install the spare battery for remote receiver.**
- **DON'T knock or drop your alarm in the pool.**
- **DON'T reset your alarm immediately after swimming.**
- **DON'T use your alarm on extremely windy days.**

## **DISCLAIMER AND LIMITATION OF LIABILITY**

1. The purchaser of the equipment indemnifies and holds harmless Manhattan Balustrades Pty Ltd its directors, shareholders, employees, agents and / or associates against any claim whatsoever nature which may be brought against Manhattan Balustrades Pty Ltd, its directors, shareholders, employees, agents and / or associates by any person as a result of death, injury, damage to or loss of property at any time arising out of or in connection with the operation of the equipment or the failure of the equipment, including, but not limited to a grossly negligent act or omission by Manhattan Balustrades Pty Ltd, its directors, shareholders employees, agents and / or associates or as a result of the operation or failure of the equipment for any reason whatsoever.
2. It is expressly agreed that the equipment sold and / or installed and / or maintained as the case may be, is for the purpose of minimizing the risk of a drowning, injury or any other applicable cause of loss and not for eliminating such risk. Manhattan Balustrades Pty Ltd, its directors, shareholders, employees, agents and / or associates will not be liable in contract or delict or otherwise of whatever nature (including both direct and consequential loss) for any such loss or injury arising from or caused by the operation or failure of the equipment, including any loss or injury attributable to any negligent or grossly negligent act or omission of Manhattan Balustrades Pty Ltd and all such liability is expressly excluded.

Signed on this date \_\_\_\_\_ Inv No. \_\_\_\_\_

At address \_\_\_\_\_

Signed by \_\_\_\_\_ the Purchaser: \_\_\_\_\_

Signed by \_\_\_\_\_ the Witness: \_\_\_\_\_

Signed by Jacques Manhattan Balustrades: \_\_\_\_\_